

SOSEN LED Driver, Your Smart Choice

Specifications

SS-OPX-S Dimming module

Model: SS-OPX-S

Description:
SS-OPX-S Dimming module

Rev.: V00

Release Date: 2023-06-05

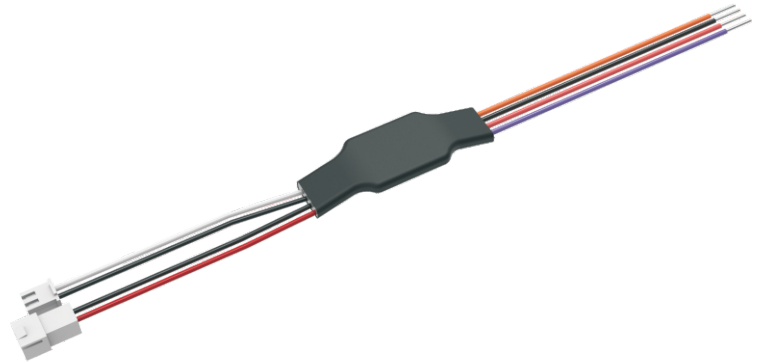
SS-OPX-S Dimming module

SOSEN
LED DRIVER



LED DRIVER

Dimming module



产品特性:

- High reliability
- Long life
- Dimming priority:
photosensitive>dip switch>0-10V
- With PC communication function
- Moisture-proof and dust-proof
- Small size, easy to assemble

Description:

SS-OPX-S has 0-10V/PWM dimming control function. It can connect dip switch to adjust power, and connected photosensitive sensor to control the lighting on and the lighting off. SS-OPX-LINK programming can use to be set dimming linear, turn on and off level of lighting, the output power by dip switch, the detection level of photosensitive sensor, and turn on/off detection time.

Environmental Requirements

Parameter	Min.	Typ.	Max.	Remark
Operating Temperature(Ta)	-40°C	25°C	+75°C	
Storage Temperature	-20°C	25°C	+80°C	
Operation Humidity	10%RH		90%RH	

SS-OPX-S Dimming module

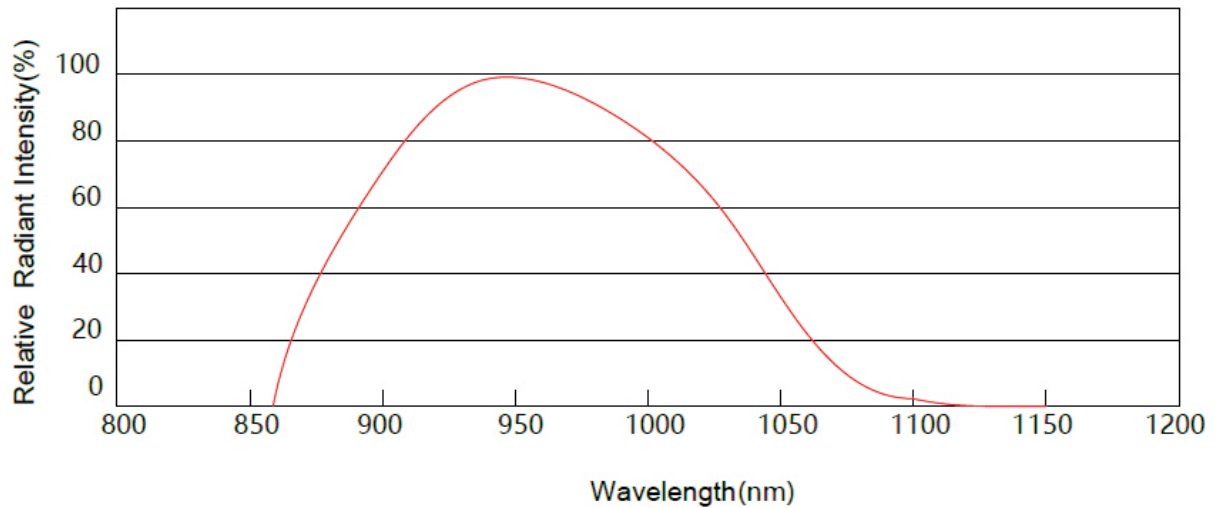
Parameter	Min.	Typ.	Max.	Remark
Working Voltage	11Vdc	12Vdc	15Vdc	
Working current	3mA	5mA	10mA	
Dimming port load voltage	0Vdc	10Vdc	12Vdc	Maximum load voltage of dimming port
Dimming port load current	0mA	5mA	10mA	Maximum load current of dimming port
Start time		0.2S	0.5S	
Dimming detection time		0.2S	0.5S	
photosensitive low-brightness detection time	1S	7S	255S	Set by programming
photosensitive high-brightness detection time	1S	7S	255S	Set by programming
photosensitive low-brightness action threshold voltage	1.3V	1.5V	1.7V	Connect dimming signal Dim-On by LED driver
photosensitive high-brightness action threshold voltage	3.8V	4.0V	4.2V	Connect dimming signal Dim-Off by LED driver
Dim off	0.7V	0.8V	0.9V	Set by programming
Dim on	0.8V	0.9V	1.0V	Set by programming
Dimming limit	1.1V	1.3V	1.5V	Set by programming
Dimming accuracy			5%	Dimming does not operate below the dimming limit value
0-10V Dimming	Dim Vmax	0V	12V	
	Dim Range	10%loset	100%loset	
	Rec.Dim Range	0V	10V	Dimming prohibits reverse connection.
PWM Dimming	PWM High	9.8V	10.2V	
	PWM Low	0V	0.3V	
	Frequency	1KHz	2KHz	Dimming prohibits reverse connection.
	PWM Duty	0%	100%	

NOTE: All the parameters above are tested Ta 25°C and LED load, unless specified.

SS-OPX-S Dimming module

Applicable model of photosensitive sensor: XYC-PT3A940FC-A4

Photoelectric Characteristic Curve

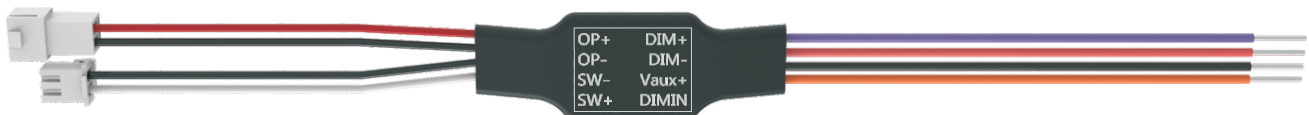


Output power level :Resistance value

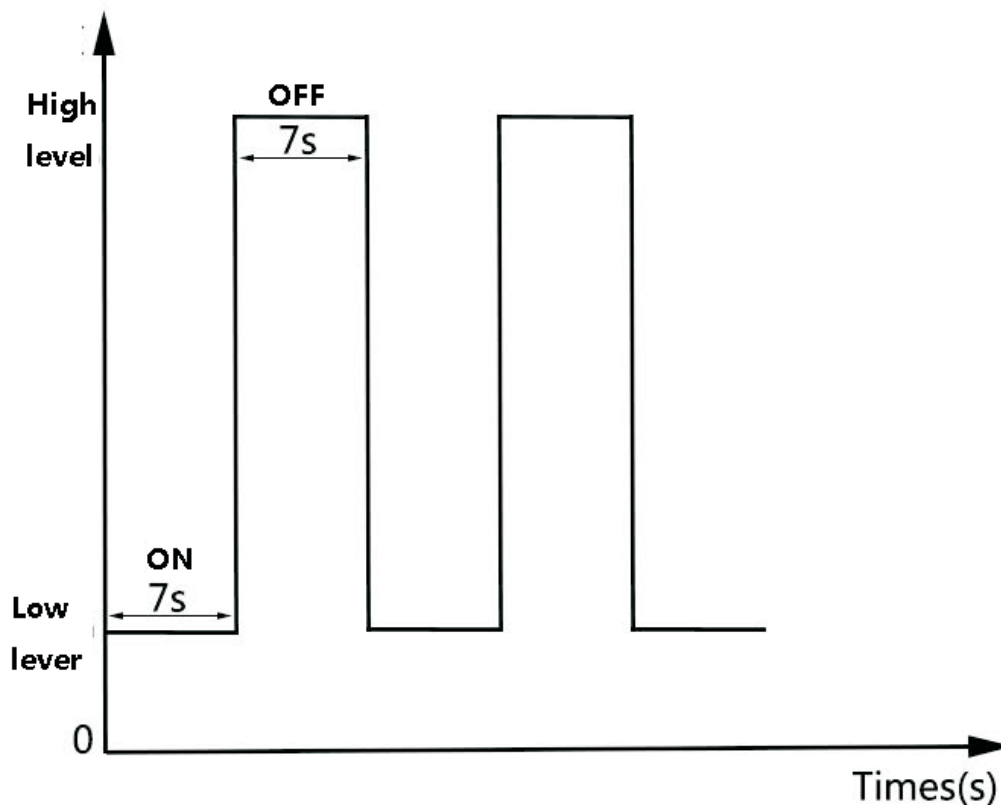
DIP switch	Resistance	Output level	
First level	100K	60%	Set by programming
Second level	200K	80%	Set by programming
Third level	390K	100%	

Note: Multiple output power level can be selected (3-5 level), and 5 resistance values: 50K, 100K, 200K, 390K, 820K

SS-OPX-S



Time Curve Of Photosensitive Delay

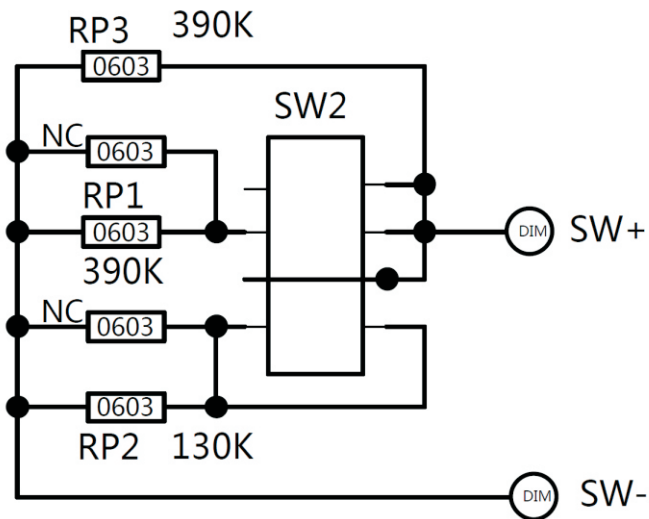


Note:

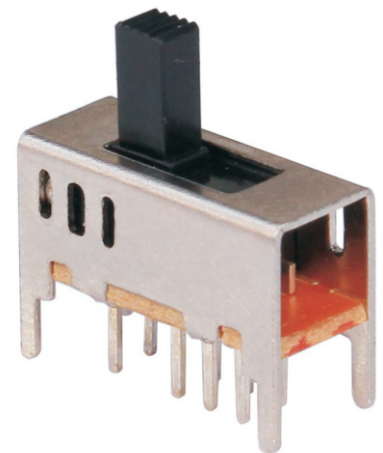
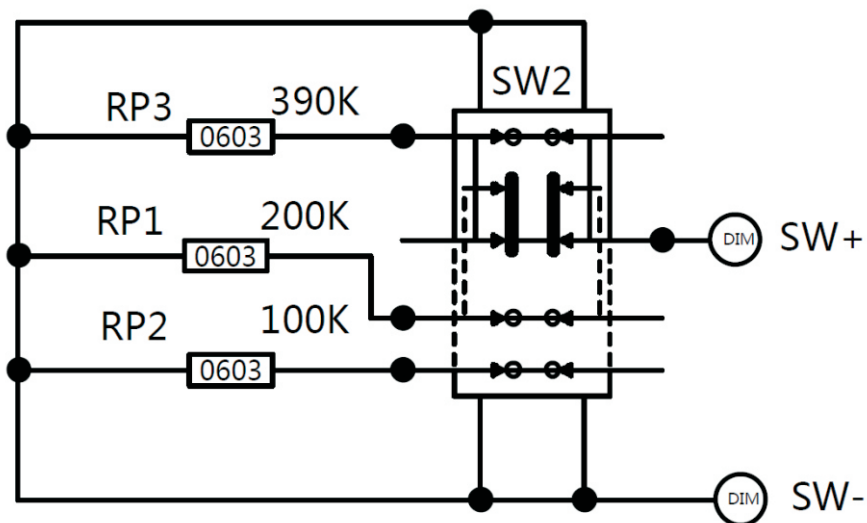
1. It is forbidden to exceed the specifications of the electrical parameters in the data sheet.
2. Due to the different assembly methods and on-site construction, the preset threshold of the luminaire photosensitive sensor may deviate from the actual application, and it is necessary to adapt the scene in the luminaire application, so the assembly location of the luminaire photosensitive sensor needs to be considered.

SS-OPX-S Dimming module

Recommended Application Schematic 1:

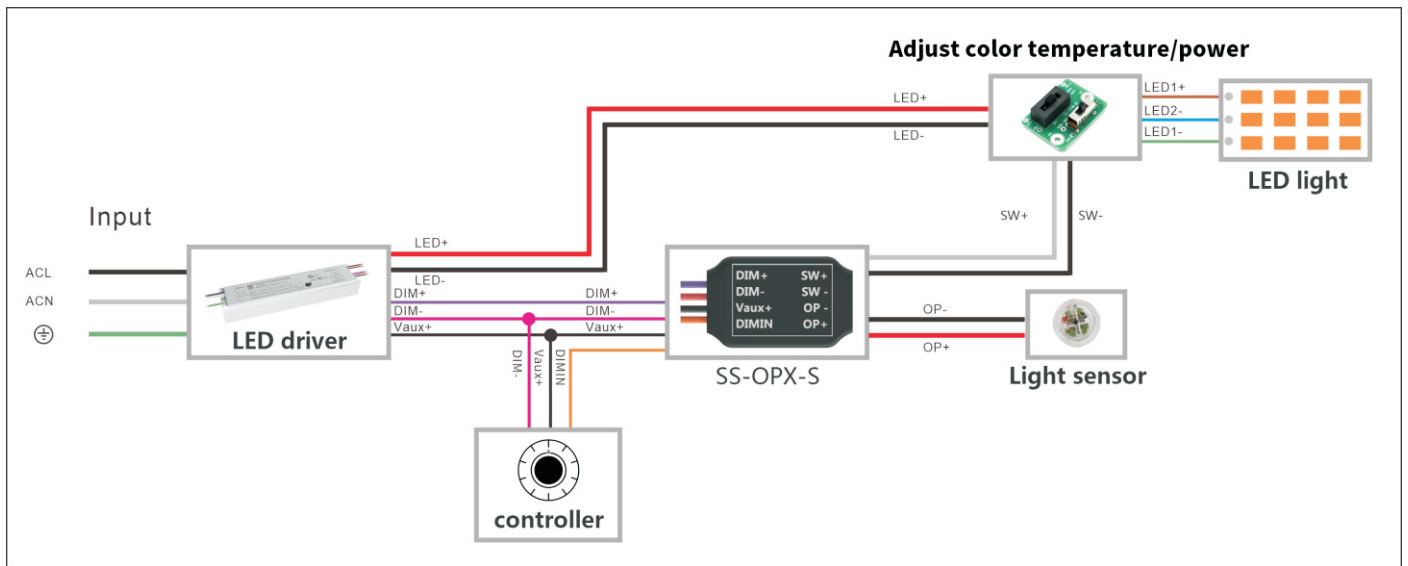


Recommended Application Schematic 2:



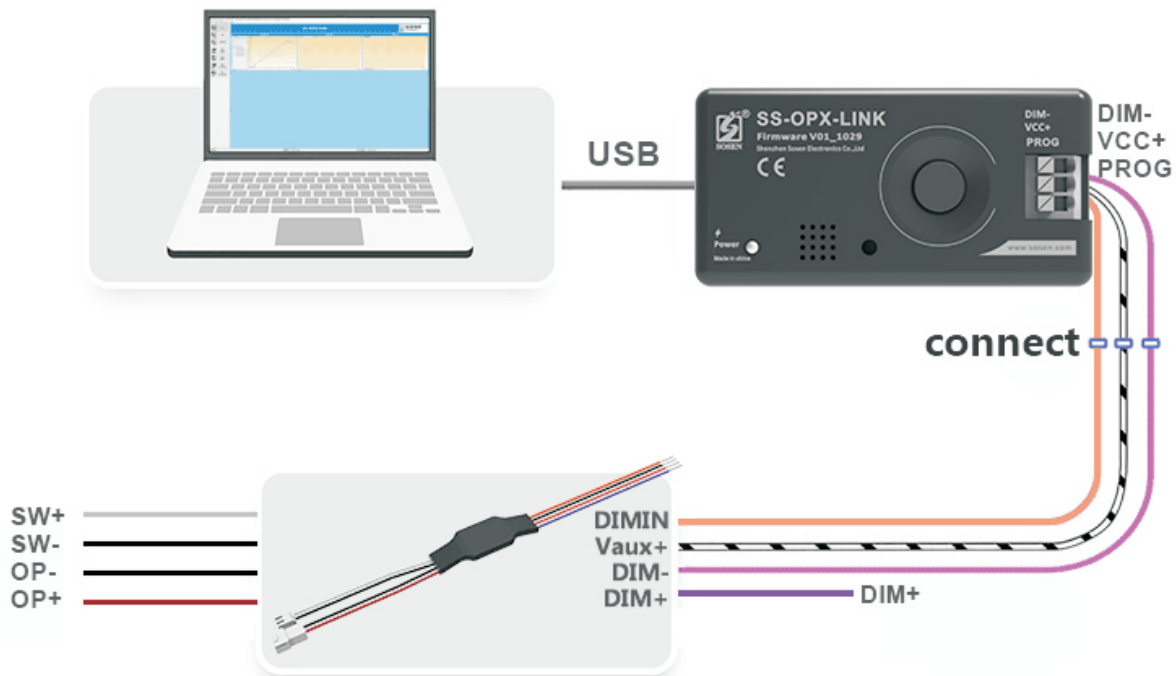
SS-OPX-S Dimming module

Product Wiring Diagram



- Note: 1.The color temperature module is a high-voltage module, pay attention to the wiring and the applicable voltage and current range of the dip switch.
 2.For the application of adjusting color temperature/power, please refer to the scheme and schematic diagram provided by SOSEN; SOSEN provides photosensitive sensor supplier contact information.

Programmer Wiring Diagram



SS-OPX-S Dimming module

Package

- Outside carton dimension: L×W×H=525mm×234mm×210mm;
- 25PCS*20Boxes/Carton;
- Net weight/Piece: 9g;Gross weight/Boxes: 225g;Gross weight/Carton: 4.5kg.

Transportation

Packaging is designed suitable for transportation by trucks, vessels and flights. The products should be avoided direct sunlight and rain, loaded/unloaded with caution.

Storage

The product storage meets the standard of the GB 3873–83.
Products should be rechecked if stored for over 1 year before assembly.

RoHS

Products comply with RoHS Directive (2011/65/EU) and amendment 2015/863/EU.

Revision History

Version	Description of Update	Updated Date	Remark
V00	Original Release	2023/06/05	

